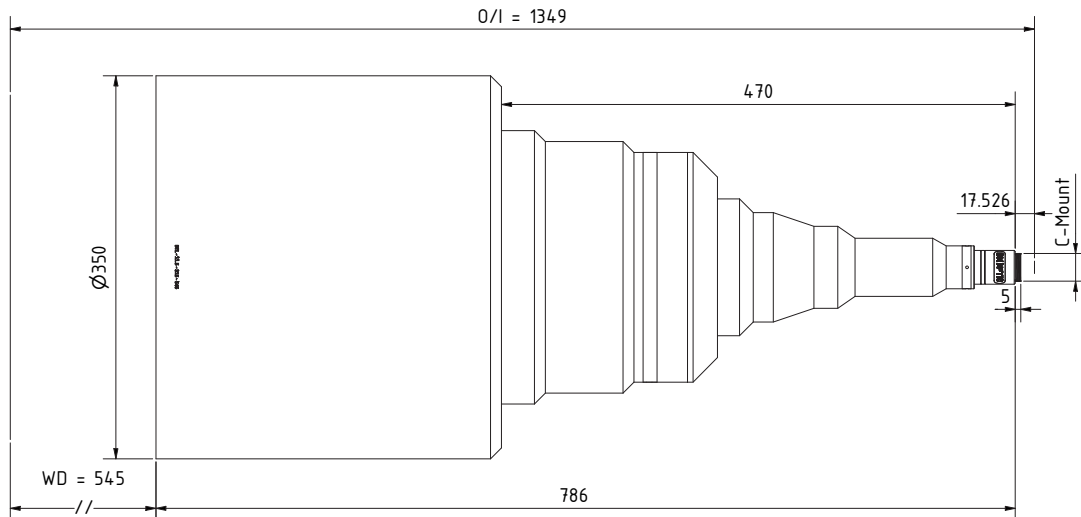


BTL-11.5-315

BI-TELECENTRIC LENSES BY DIOPTIC



SPECIFICATIONS

Max. Object Circle	315 mm
Max. Image Circle	11.5 mm
Magnification	0.04
Working distance	545 mm
Effective f/#	7.1
Typical MTF at 70 lp/mm	23 %
Typical telecentricity (450 nm, 550 nm, 700 nm)	(0.15°, 0.07°, 0.14°)
Typical distortion	0.07 %
FOV for 2/3" (16.9 mm) Sensor	248.6 mm x 186.5 mm
Mount	C - Mount
Length	791.0 mm
Diameter	350 mm
Weight	28.02 kg
Filter	Available separately