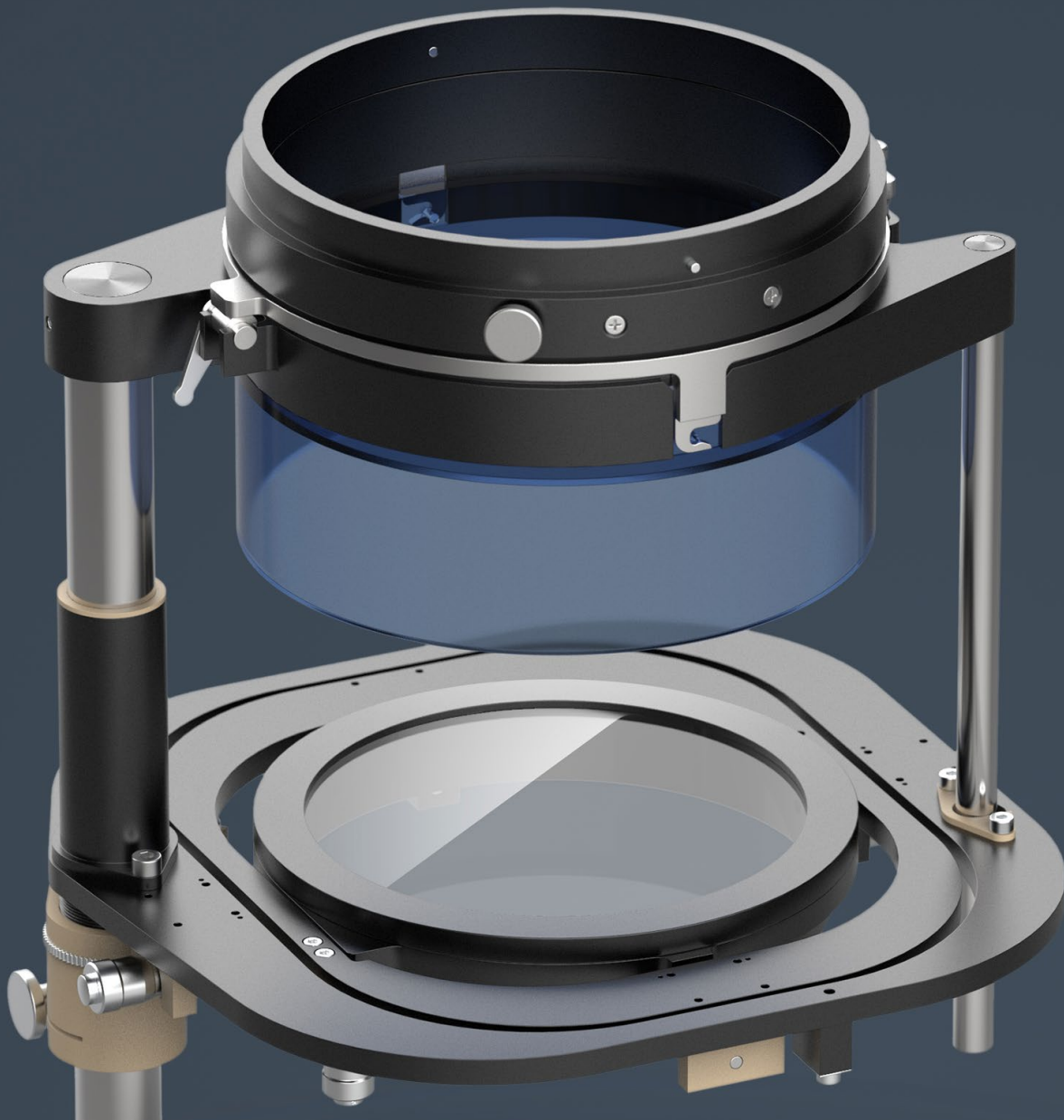


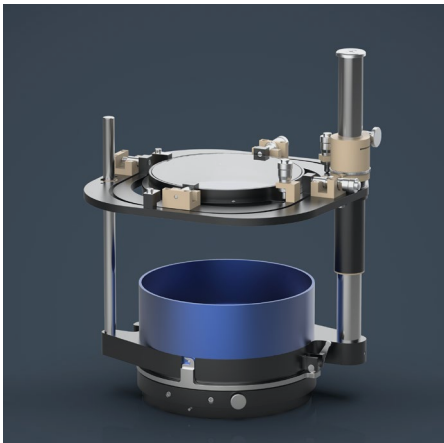
# CGH ADJUSTER

simplified CGH alignment

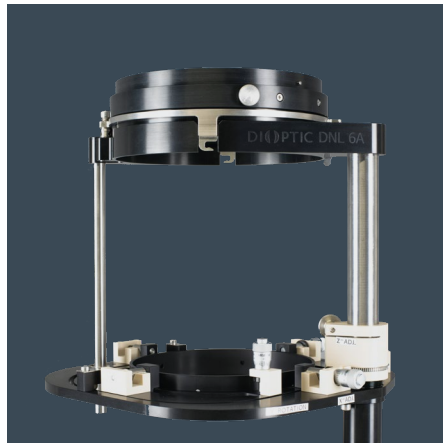
DIOP TIC  
thinking your optics



- POSITION AND TILT ALIGNMENT
- FITS ALL INTERFEROMETERS
- MICROMETER PRECISION



Compatible with standard transmission spheres



Robust and reproducible



Independent alignment of all axes

## BENEFITS

Independent motion control of x, y, z, theta, phi axes

Quick and easy CGH alignment in horizontal and vertical setups

Variable distance between transmission sphere and CGH

## FUNCTIONALITY

The CGH adjuster enables you to align your CGH quickly and accurately. It is directly connected to the exit port of the interferometer by a standard bayonet mount. A second bayonet mount accepts the standard transmission sphere.

The 5-axis CGH adjuster allows the fine alignment of position and orientation of the CGH independently. The gimbal mount ensures that a tilt adjustment does not affect the CGH position.

## SPECIFICATIONS

Interferometer mount	4" and 6" standard Bayonet
Maximum distance between CGH and transmission sphere	500 mm
Maximum CGH diameter	150 mm
X-Y fine adjustment	$\pm 3.5$ mm
Z fine adjustment	$\pm 10$ mm
Tilt adjustment	$\pm 2^\circ$
Angular sensitivity	15 arcsec
Lateral and vertical sensitivity	5 $\mu$ m