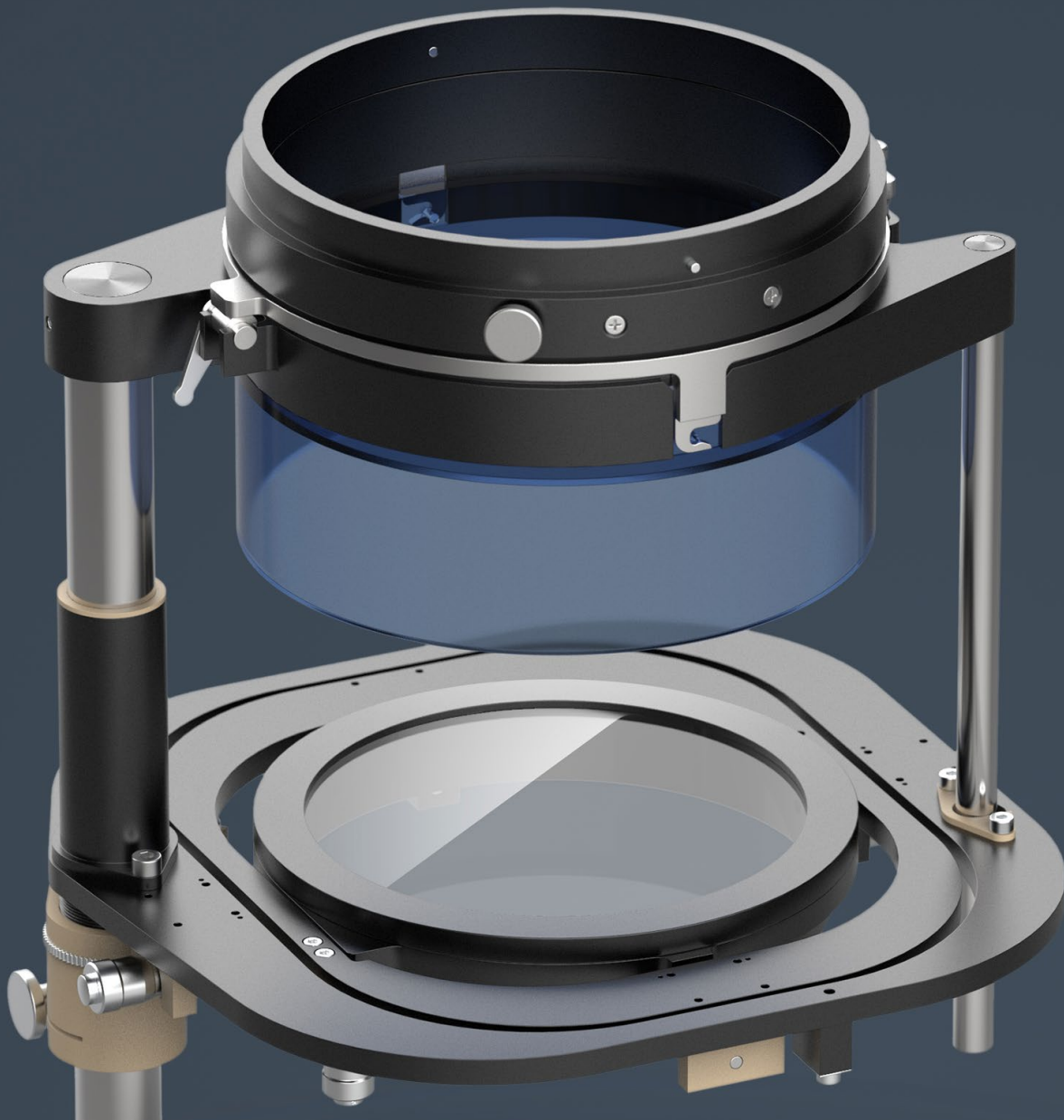


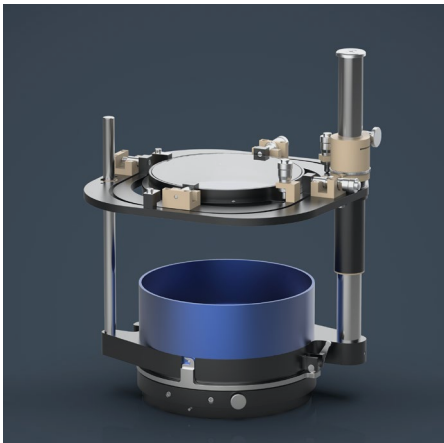
CGH ADJUSTER

simplified CGH alignment

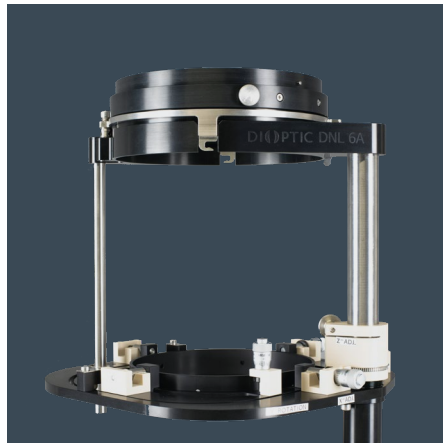
DIOPHTIC
creating optical solutions



- POSITION AND TILT ALIGNMENT
- FITS ALL INTERFEROMETERS
- MICROMETER PRECISION



Compatible with standard transmission spheres



Robust and reproducible



Independent alignment of all axes

BENEFITS

Independent motion control of x, y, z, theta, phi axes

Quick and easy CGH alignment in horizontal and vertical setups

Variable distance between transmission sphere and CGH

FUNCTIONALITY

The CGH adjuster enables you to align your CGH quickly and accurately. It is directly connected to the exit port of the interferometer by a standard bayonet mount. A second bayonet mount accepts the standard transmission sphere.

The 5-axis CGH adjuster allows the fine alignment of position and orientation of the CGH independently. The gimbal mount ensures that a tilt adjustment does not affect the CGH position.

SPECIFICATIONS

Interferometer mount	4" and 6" standard Bayonet
Maximum distance between CGH and transmission sphere	500 mm
Maximum CGH diameter	150 mm
X-Y fine adjustment	± 3.5 mm
Z fine adjustment	± 10 mm
Tilt adjustment	$\pm 2^\circ$
Angular sensitivity	15 arcsec
Lateral and vertical sensitivity	5 μ m